



General Notes

THIS LUMINAIRE IS UL LISTED. WHEN INSTALLING LUMINAIRE, CONFORM TO ALL APPLICABLE LOCAL ELECTRICAL CODES, ORDINANCES, AND THE NATIONAL ELECTRICAL CODE (NEC).

FOR YOUR SAFETY AND PROPER OPERATION OF LUMINAIRE, READ AND UNDERSTAND ALL INSTRUCTIONS COMPLETELY BEFORE COMMENCING INSTALLATION OF THIS LUMINAIRE.

CAREFULLY UNPACK THE LUMINAIRE AND INSPECT FOR DAMAGE.

THIS PRODUCT IS RATED FOR ONE 40W MAX, LED BULB.

SAVE THESE INSTRUCTIONS FOR FUTURE REFERENCE.

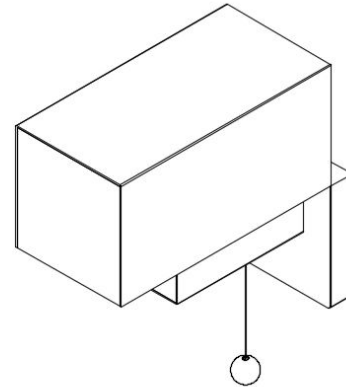
CAUTION

THIS PRODUCT SHOULD BE INSTALLED ONLY BY A LICENSED ELECTRICIAN.

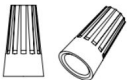


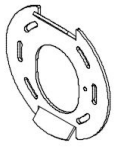
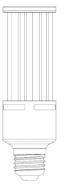
WARNING

THE ELECTRICITY MUST BE TURNED OFF AT THE MAIN FUSE BOX BEFORE INSTALLING THIS LUMINAIRE. TURNING POWER OFF USING THE LIGHT SWITCH MAY NOT BE SUFFICIENT TO PREVENT ELECTRICAL SHOCK.

USE UL LISTED WIRE NUTS FOR THE WIRING CONNECTIONS IN THIS LUMINAIRE. WRAP WIRE NUT CONNECTIONS WITH UL LISTED ELECTRICAL TAPE.

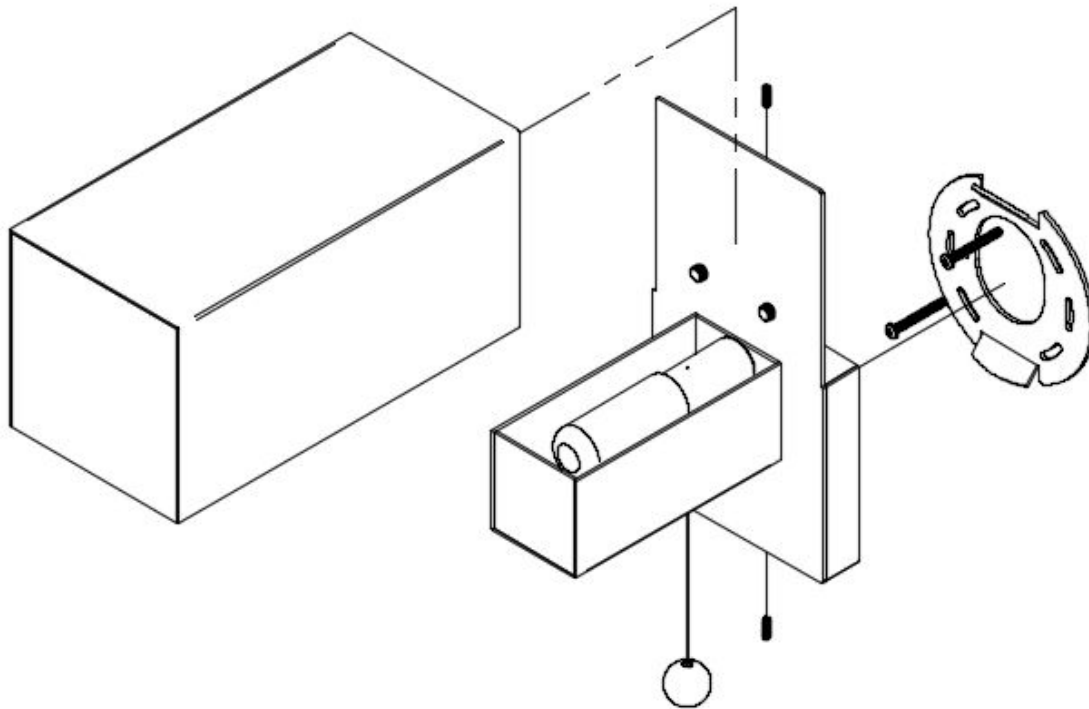


Installation components

2	wire nuts	
2	1 1/2" #8 x 32 machine bolts	
2	1/2" #8 X 32 set screws	
1	mounting plate	
1	LED rod bulb	



Mounting and Shade Assembly





Step 1 Shut off the main electrical supply to the junction box from the fuse box/circuit breaker. Turning power off at the switch is not sufficient.	Step 2 Locate junction box. Attach the mounting plate to the junction box using the junction box screws.
Step 3 Using the wire nuts provided, make electrical connections by following the electrical configuration table below. Ensure that all electrical connections are wrapped with ul listed electrical tape.	Step 4 Tuck the wiring into the junction box. Thread upper set screw into canopy until flush with face. Hook set screw onto upper flange of mounting plate. Tighten lower set screw until flush with canopy face.
Step 5 Install bulb, confirm proper function of pull switch.	Step 6 - SHADE INSTALLATION Slip rivet heads through large portion of keyhole slots in shade until back edge of shade is flush with canopy face. Allow shade to slide downwards until lower edge of shade is flush with upper edge of diffuser.

Electrical Configuration

FROM SUPPLY	FROM LUMINAIRE
CONNECT BLACK OR RED (HOT) HOUSE SUPPLY CIRCUIT WIRE TO:	LUMINAIRE BLACK WIRE (HOT)
CONNECT WHITE (NEUTRAL) HOUSE SUPPLY CIRCUIT WIRE TO:	LUMINAIRE WHITE WIRE (NEUTRAL)
CONNECT GREEN INSULATED OR BARE COPPER (GROUND -) HOUSE SUPPLY CIRCUIT WIRE TO GREEN GROUND SCREW ON CROSSBAR.	