



## General Notes

THIS LUMINAIRE IS UL LISTED. WHEN INSTALLING LUMINAIRE, CONFORM TO ALL APPLICABLE LOCAL ELECTRICAL CODES, ORDINANCES, AND THE NATIONAL ELECTRICAL CODE (NEC).

FOR YOUR SAFETY AND PROPER OPERATION OF LUMINAIRE, READ AND UNDERSTAND ALL INSTRUCTIONS COMPLETELY BEFORE COMMENCING INSTALLATION OF THIS LUMINAIRE.

CAREFULLY UNPACK THE LUMINAIRE AND INSPECT FOR DAMAGE.

THIS PRODUCT IS RATED FOR ONE 75W MAX, E26 BULB.

SAVE THESE INSTRUCTIONS FOR FUTURE REFERENCE.

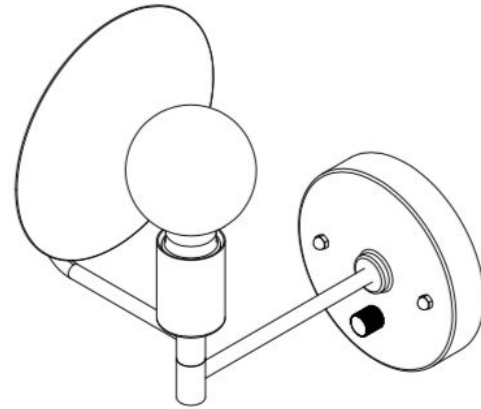
### CAUTION

THIS PRODUCT SHOULD BE INSTALLED ONLY BY A LICENSED ELECTRICIAN.

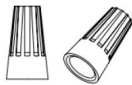


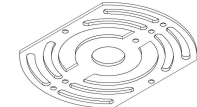


### WARNING

THE ELECTRICITY MUST BE TURNED OFF AT THE MAIN FUSE BOX BEFORE INSTALLING THIS LUMINAIRE. TURNING POWER OFF USING THE LIGHT SWITCH MAY NOT BE SUFFICIENT TO PREVENT ELECTRICAL SHOCK.

USE UL LISTED WIRE NUTS FOR THE WIRING CONNECTIONS IN THIS LUMINAIRE. WRAP WIRE NUT CONNECTIONS WITH UL LISTED ELECTRICAL TAPE.

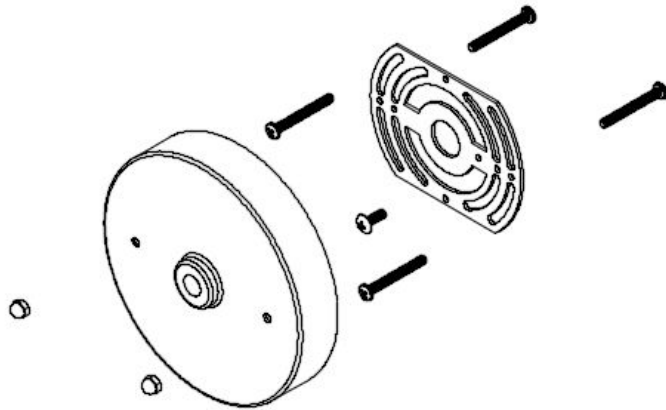


## Included components

2	wire nuts	
4	1 1/2" 8# x 32 machine bolts	
2	acorn nuts	
1	universal crossbar	
1	1/4 x 20 set screw	
1	TALA Porcelain II bulb	



### Mounting Assembly



### Electrical Configuration

FROM SUPPLY	FROM LUMINAIRE
CONNECT BLACK OR RED (HOT) HOUSE SUPPLY CIRCUIT WIRE TO:	LUMINAIRE BLACK WIRE (HOT)
CONNECT WHITE (NEUTRAL) HOUSE SUPPLY CIRCUIT WIRE TO:	LUMINAIRE WHITE WIRE (NEUTRAL)
CONNECT GREEN INSULATED OR BARE COPPER (GROUND -) HOUSE SUPPLY CIRCUIT WIRE TO TERMINAL ON CROSSBAR	



### Step 1

Shut off the main electrical supply to the junction box from the fuse box/circuit breaker. Turning power off at the switch is not sufficient.

### Step 2

Locate junction box in the wall. Attach the mounting plate to the junction box using the junction box screws.

### Step 3

Make electrical connections by following the electrical configuration table below. Ensure that all electrical connections are wrapped with ul listed electrical tape.

### Step 4

Tuck the wiring into the junction box. Carefully align the two holes in the canopy with the mounting plate screws and then slip the canopy over the mounting plate screws. Attach and tighten the two acorn nuts to the mounting plate screws to secure the lighting fixture to the wall.

### Step 5

Slide collar on back of shade onto end of bent arm, secure with provided  $\frac{1}{4}$  x 20 set screw using a flathead screwdriver.

### Step 6

Return power to fixture and turn dimmer dial to full extent to ensure proper function. If further work is required, shut off power to fixture before proceeding.



### General Notes

THIS LUMINAIRE IS UL LISTED. WHEN INSTALLING LUMINAIRE, CONFORM TO ALL APPLICABLE LOCAL ELECTRICAL CODES, ORDINANCES, AND THE NATIONAL ELECTRICAL CODE (NEC).

FOR YOUR SAFETY AND PROPER OPERATION OF LUMINAIRE, READ AND UNDERSTAND ALL INSTRUCTIONS COMPLETELY BEFORE COMMENCING INSTALLATION OF THIS LUMINAIRE.

CAREFULLY UNPACK THE LUMINAIRE AND INSPECT FOR DAMAGE.

THIS PRODUCT IS RATED FOR ONE 75W MAX, E26 BULB.

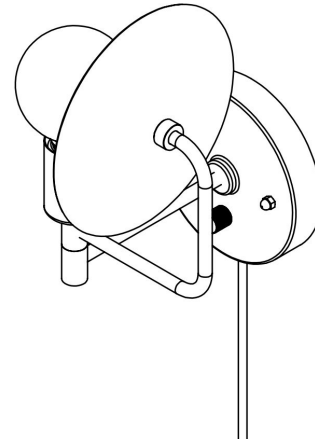
SAVE THESE INSTRUCTIONS FOR FUTURE REFERENCE.

#### CAUTION




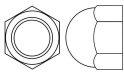
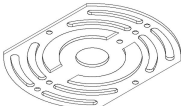


THIS PRODUCT SHOULD BE INSTALLED ONLY BY A LICENSED ELECTRICIAN.

#### WARNING

THIS FIXTURE USES A POLARIZED PLUG. DO NOT ATTEMPT TO DEFEAT THIS SAFETY FEATURE.

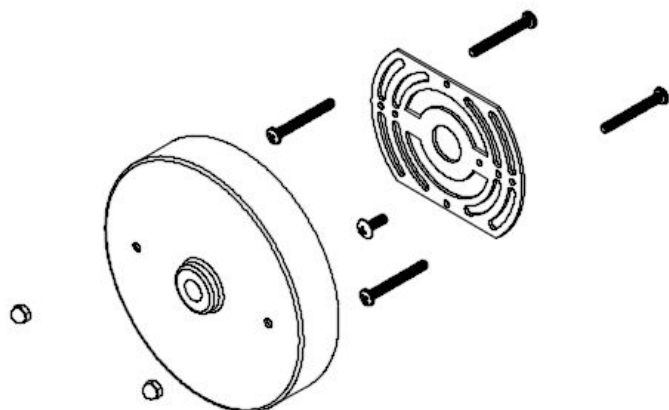


### Included components

2	1" 8# wood screws	
2	Drywall anchors	
2	1" 8# x 32 machine bolts	
2	acorn nuts	
1	universal crossbar	
1	1/4 x 20 set screw	
1	TALA Porcelain II bulb	



### Mounting Assembly



#### Step 1

Identify desired location for mounting on wall

#### Step 2

Install provided anchors, or anchors appropriate to wall material of comparable strength

#### Step 3

Thread 1" machine bolts through mounting plate until head is flush with plate. Secure mounting plate to anchors with machine bolts facing outwards.

#### Step 4

Carefully align the two holes in the canopy with the mounting plate screws and then slip the canopy over the mounting plate screws. Attach and tighten the two acorn nuts to the mounting plate screws to secure the lighting fixture to the wall.

#### Step 5

Slide collar on back of shade onto end of bent arm, secure with provided  $\frac{1}{4}$  x 20 set screw using a flathead screwdriver.

#### Step 6

Plug fixture in and turn dimmer dial to ensure proper function. If further work is needed be sure to unplug fixture before proceeding.