

WORKSTEAD



TOWER PENDANT IV
natural oak

WORKSTEAD



TOWER PENDANT IV
oxidized oak

WORKSTEAD

TOWER PENDANT IV

hardwired

Description

The TOWER PENDANT IV is composed of a quartet of monumental turned-wooden cylinders suspended by a metal down-rod. The sleek wooden forms provide a grand framework for a cluster of glowing porcelain bulbs. Available in three standard overall heights. Custom heights available. Made in the USA. UL Listed. Damp Rated upon request.

Finish Options

- Natural Oak
- Oxidized Oak
- Painted White
- Painted Gray
- Painted Yellow
- Hewn Brass
- Hand Finished Bronze

Dimensions

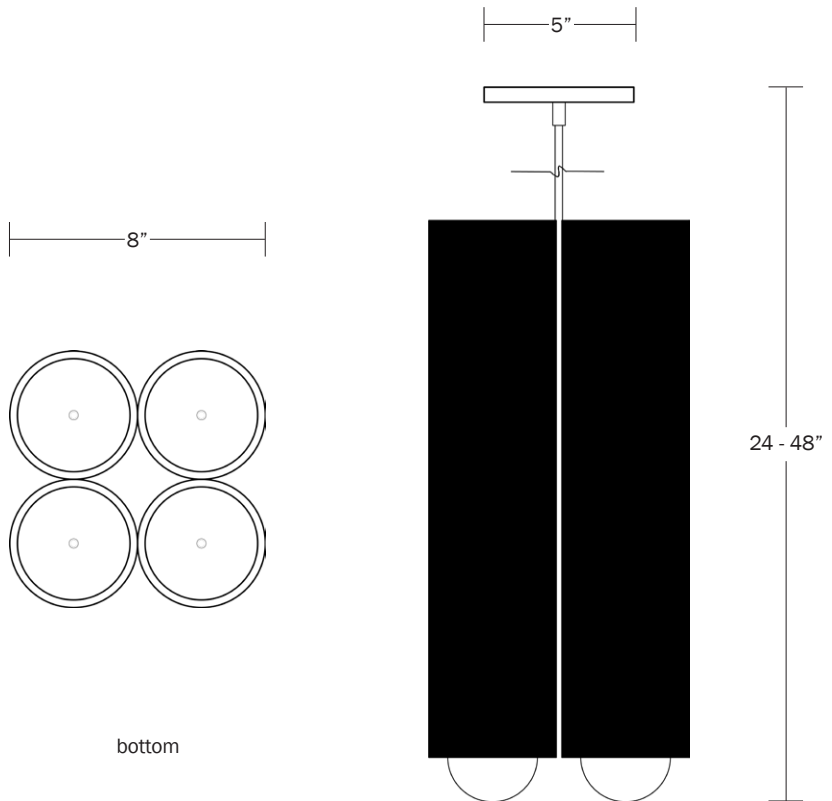
- Small - 24"
- Medium - 36"
- Large - 48"
- Cylinder Height- 18"
- Width - 8"
- Canopy Diameter - 5"
- Custom Heights Available

Weight

25 lbs

Lamp

- 25 Watt Incandescent Max Per Socket
- 6W Dimmable LED Bulbs Included
- 3" Diameter With Porcelain Finish
- 50 Watt Equivalent Each
- 2160 Total Lumens
- 2700K Color Temperature
- Bulb Life 30,000 Hours
- 110/120V, E26
- 220/240V, E27
- UL/CE Listed
- Damp Rated Upon Request



WORKSTEAD

