

WORKSTEAD



COLUMN SCONCE LARGE
oxidized oak

WORKSTEAD

COLUMN SCONCE LARGE

hardwired

Description

The COLUMN SCONCE explores the singular, slender form of an architectural column. Mounted to a wall, the sconce is a modern interpretation of the primordial torch, casting light above and below. Available in Natural or Oxidized Oak. Made in the USA. UL Listed. Damp Rated upon request.

Body Finish

Natural Oak
Oxidized Oak
Painted White
Painted Yellow
Painted Gray

Hardware Finish

Hewn Brass
Blackened Steel
Brushed Nickel

Dimensions

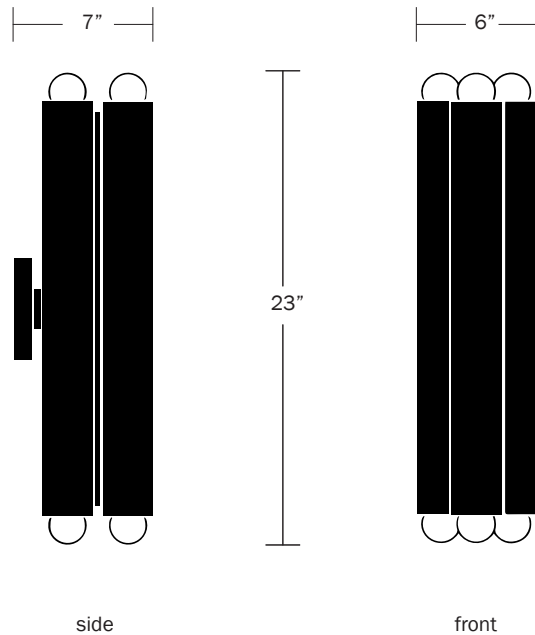
Overall Height - 23"
Depth - 7"
Backplate Diameter - 5"

Weight

15 lbs

Lamp

25 Watt Incandescent Max
(6) 5W Dimmable LED Bulb Included
2" Diameter With Porcelain Finish
40 Watt Equivalent
1,950 Total Lumens
2700K Color Temperature
Bulb Life 30,000 Hours
110/120V, E12
220/240V, E14
UL/CE Listed
Damp Rated Upon Request



WORKSTEAD

