

WORKSTEAD

Chamber Chandelier

Assembly and mounting instructions



General Notes

THIS LUMINAIRE IS UL LISTED. WHEN INSTALLING LUMINAIRE, CONFORM TO ALL APPLICABLE LOCAL ELECTRICAL CODES, ORDINANCES, AND THE NATIONAL ELECTRICAL CODE (NEC).

FOR YOUR SAFETY AND PROPER OPERATION OF LUMINAIRE, READ AND UNDERSTAND ALL INSTRUCTIONS COMPLETELY BEFORE COMMENCING INSTALLATION OF THIS LUMINAIRE.

CAREFULLY UNPACK THE LUMINAIRE AND INSPECT FOR DAMAGE.

THIS PRODUCT IS RATED FOR SIX 40W MAX, G16.5 BULB.

SAVE THESE INSTRUCTIONS FOR FUTURE REFERENCE.

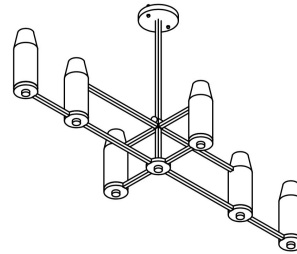
CAUTION

THIS PRODUCT SHOULD BE INSTALLED ONLY BY A LICENSED ELECTRICIAN.

WARNING

THE ELECTRICITY MUST BE TURNED OFF AT THE MAIN FUSE BOX BEFORE INSTALLING THIS LUMINAIRE. TURNING POWER OFF USING THE LIGHT SWITCH MAY NOT BE SUFFICIENT TO PREVENT ELECTRICAL SHOCK.

USE UL LISTED WIRE NUTS FOR THE WIRING CONNECTIONS IN THIS LUMINAIRE. WRAP WIRE NUT CONNECTIONS WITH UL LISTED ELECTRICAL TAPE.

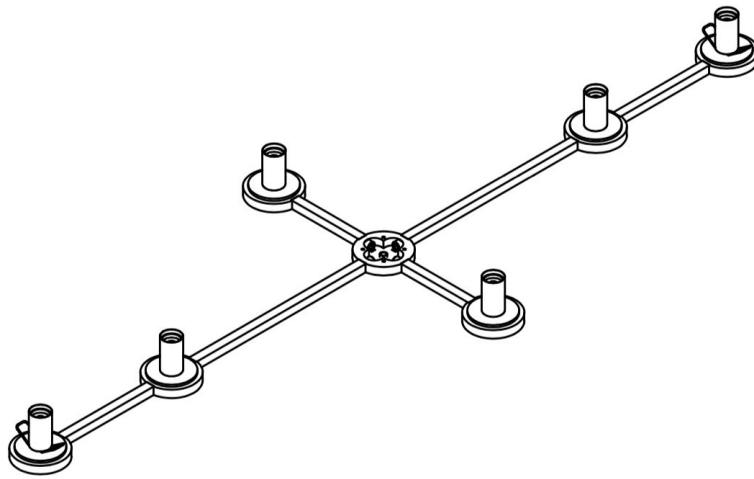


Included components

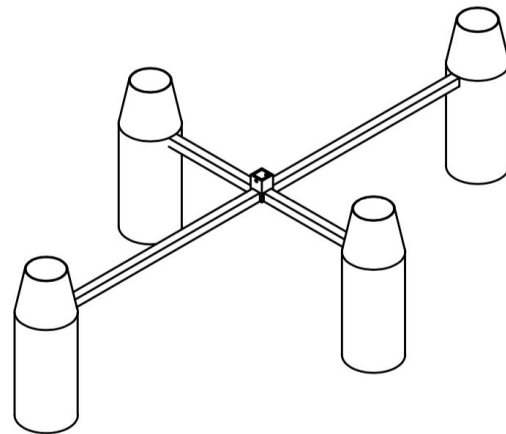
2	wire nuts	
4	1 1/2" #8 x 32 machine bolts	
4	3/8" #8 x 32 flat head screw	
2	#8 x 32 acorn nuts	
1	universal crossbar	
1	nut with set screw	
2	shroud set screw	
2	shroud	
4	socket sleeve (optional)	
6	Tala G50 bulb	



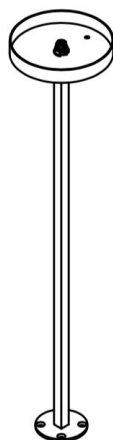
Fixture Assembly



Shade Assembly

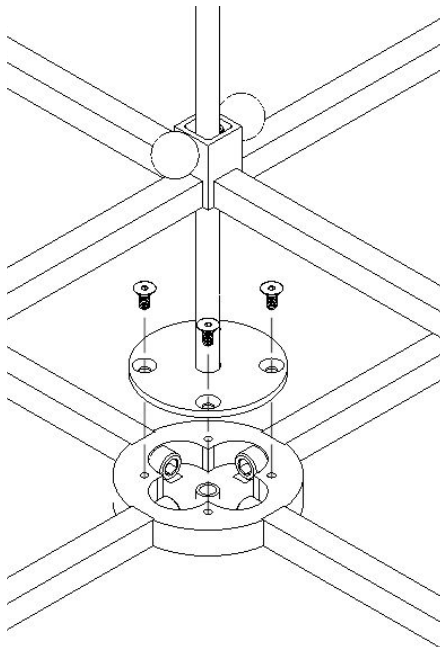


Stem Assembly





Center hub Assembly



1. Center hub assembly

Step 1

Ensure all wires and connections are below upper edge of center hub

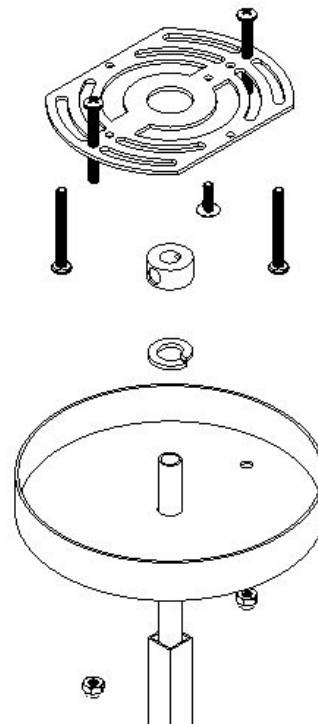
Step 2

Feed conductors through center stem

Step 3

Align countersunk holes in lid with threaded holes in the hub, using supplied #8 x 32 flat head screws, tighten lid until flush with center hub.

Canopy Assembly



2. Canopy assembly

Step 1

Route conductors through center of shade assembly and slide complete shade assembly down center rod until resting on the fixture.

Step 2

Slide square rod, canopy, and lock washer until resting on lid. Tighten nut until snug, keeping center rod aligned with axes of fixture. Tighten set screw on nut.



Installation

Step 1

Shut off the main electrical supply to the junction box from the fuse box/circuit breaker. Turning power off at the switch is not sufficient.

Step 2

Locate junction box in the ceiling. Attach the mounting plate to the junction box using the junction box screws.

Step 3

Using the wire nuts provided, make electrical connections by following the electrical configuration table below. Ensure that all electrical connections are wrapped with ul listed electrical tape.

Step 4

Tuck the wiring into the junction box. Carefully align the two holes in the canopy with the mounting plate screws and then slip the canopy over the mounting plate screws. Attach and tighten the two acorn nuts to the mounting plate screws to secure the lighting fixture to the ceiling.

Step 5

Thread set screw into hub of shade assembly, lift shade assembly to desired position, then tighten set screws to secure. PLEASE NOTE, DUE TO THE NATURE OF THIS OPERATION, MARKS MAY APPEAR ON THE STEM

Step 6

Install bulbs and return power to fixture. If further work is needed, be sure to turn off power to fixture before proceeding.

Step 7

Once proper function is confirmed, place supplied shrouds over sockets on each end, using spring clips to secure shroud position.

Electrical Configuration

FROM SUPPLY	FROM LUMINAIRE
CONNECT BLACK OR RED (HOT) HOUSE SUPPLY CIRCUIT WIRE TO:	LUMINAIRE BLACK WIRE (HOT)
CONNECT WHITE (NEUTRAL) HOUSE SUPPLY CIRCUIT WIRE TO:	LUMINAIRE WHITE WIRE (NEUTRAL)

CONNECT GREEN INSULATED OR BARE COPPER (GROUND -)
HOUSE SUPPLY CIRCUIT WIRE TO GREEN GROUND SCREW ON CROSSBAR.

WORKSTEAD

Chamber Chandelier

Assembly and mounting instructions

