

# WORKSTEAD

## Chamber Table Lamp

Assembly instructions



### General Notes

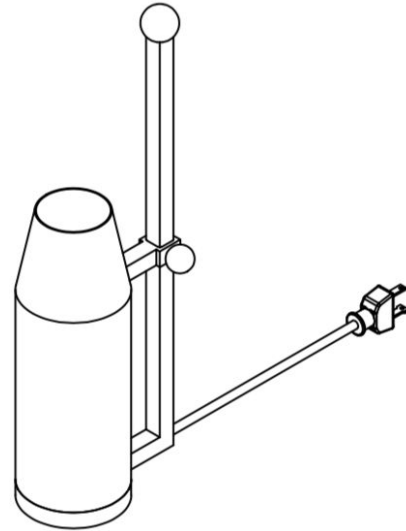
THIS LUMINAIRE IS UL LISTED. WHEN INSTALLING LUMINAIRE, CONFORM TO ALL APPLICABLE LOCAL ELECTRICAL CODES, ORDINANCES, AND THE NATIONAL ELECTRICAL CODE (NEC).

FOR YOUR SAFETY AND PROPER OPERATION OF LUMINAIRE, READ AND UNDERSTAND ALL INSTRUCTIONS COMPLETELY BEFORE COMMENCING INSTALLATION OF THIS LUMINAIRE.

CAREFULLY UNPACK THE LUMINAIRE AND INSPECT FOR DAMAGE.

THIS PRODUCT IS RATED FOR ONE 40W MAX, G16.5 BULB.


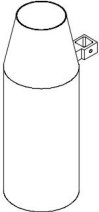
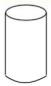

SAVE THESE INSTRUCTIONS FOR FUTURE REFERENCE.



### SAFETY NOTES

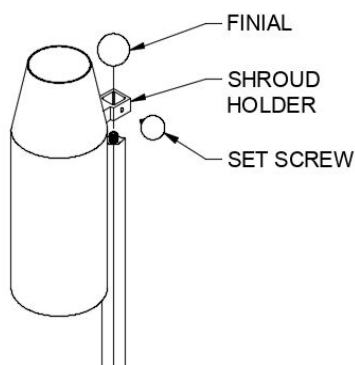
THIS LUMINAIRE HAS A POLARIZED PLUG. AS A SAFETY FEATURE, THIS PLUG WILL ONLY FIT IN AN OUTLET ONE WAY. DO NOT ATTEMPT TO DEFEAT THIS SAFETY FEATURE

### Included components

1	shroud set screw	
1	shroud assembly	
1	socket sleeve	
1	Tala G50 bulb	



### Shroud Assembly



#### Step 1

Unscrew finial from top of lamp, slide shroud assembly down rod until it rests on the base.

#### Step 2

Screw finial back onto top of lamp. Lightly thread provided set screw into side hole of shroud holder, adjust height of shroud as desired, tighten set screw gently to secure. PLEASE NOTE, DUE TO THE NATURE OF THIS OPERATION, MARKS MAY APPEAR ON THE STEM

#### Step 3

Install bulb and plug in fixture. Toggle on-cord switch to ensure proper function. If further work is needed, be sure to unplug before proceeding.