



General Notes

THIS LUMINAIRE IS UL LISTED. WHEN INSTALLING LUMINAIRE, CONFORM TO ALL APPLICABLE LOCAL ELECTRICAL CODES, ORDINANCES, AND THE NATIONAL ELECTRICAL CODE (NEC).

FOR YOUR SAFETY AND PROPER OPERATION OF LUMINAIRE, READ AND UNDERSTAND ALL INSTRUCTIONS COMPLETELY BEFORE COMMENCING INSTALLATION OF THIS LUMINAIRE.

CAREFULLY UNPACK THE LUMINAIRE AND INSPECT FOR DAMAGE.

THIS PRODUCT IS RATED FOR ONE 75W MAX, G30 BULB.

SAVE THESE INSTRUCTIONS FOR FUTURE REFERENCE.

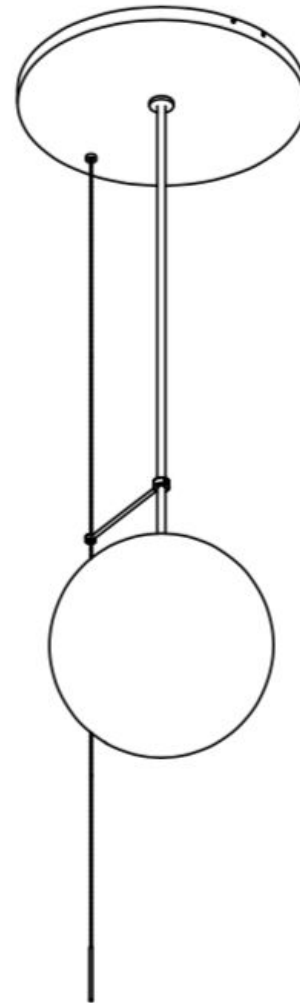
CAUTION

THIS PRODUCT SHOULD BE INSTALLED ONLY BY A LICENSED ELECTRICIAN.

WARNING

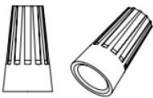


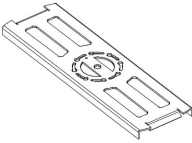
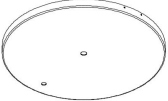



THE ELECTRICITY MUST BE TURNED OFF AT THE MAIN FUSE BOX BEFORE INSTALLING THIS LUMINAIRE. TURNING POWER OFF USING THE LIGHT SWITCH MAY NOT BE SUFFICIENT TO PREVENT ELECTRICAL SHOCK.

USE UL LISTED WIRE NUTS FOR THE WIRING CONNECTIONS IN THIS LUMINAIRE. WRAP WIRE NUT CONNECTIONS WITH UL LISTED ELECTRICAL TAPE.





Included components

2	wire nuts	
2	1 1/2" 8# x 32 machine bolts	
4	1/2" #10 X 32 set screws	
1	mounting plate	
1	canopy	
1	knurled nut with set screw	
1	hex nut	
1	shaft collar	

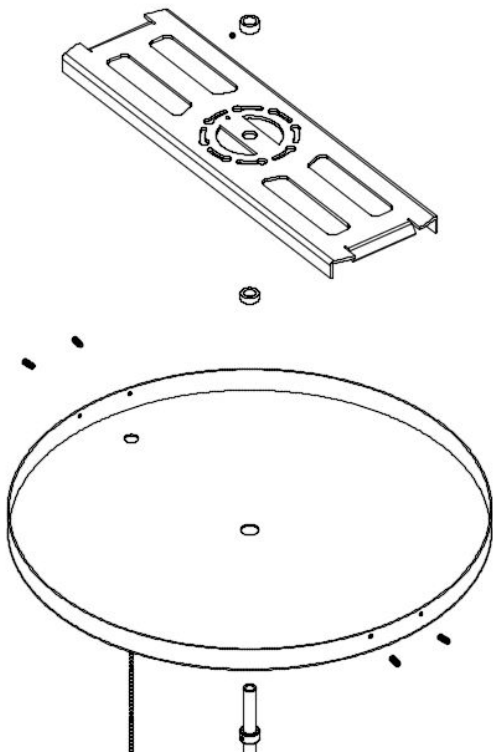
WORKSTEAD

Signal Globe

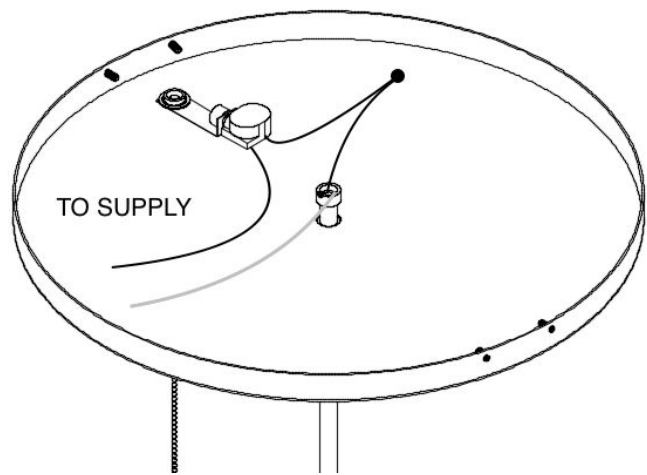
Assembly and mounting instructions



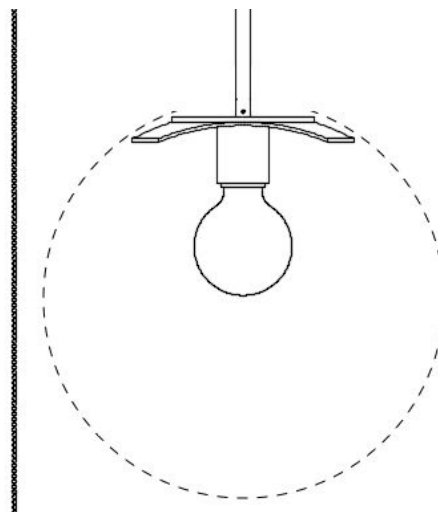
Mounting Assembly



Wiring Assembly



Glass Assembly





Step 1 Shut off the main electrical supply to the junction box from the fuse box/circuit breaker. Turning power off at the switch is not sufficient.	Step 2 Route wires through shaft collar, slide down until it rests on lower collar. Repeat with canopy.
Step 3 Thread hex nut onto top of stem. Slide backplate with flanges pointed down onto stem, allow to rest on the nut. Thread knurled nut with set screw until backplate is compressed. Use 5/64" allen key to tighten set screw.	Step 4 (SKIP IF NO PULL CHAIN) Connect fixture black lead to switch lead. Drop pull switch chain through off-center hole in canopy.
Step 5 Bring assembly to ceiling, secure to junction box with #8 x 32 screws.	Step 6 Using the wire nuts provided, make electrical connections by following the electrical configuration table below. Ensure that all electrical connections are wrapped with ul listed electrical tape.
Step 7 Partially thread #10 x 32 set screws into canopy. Ensure set screws are aligned with 45° bent returns on backplate, slide canopy and shaft collar up stem until flush with ceiling. Secure shaft collar by tightening set screw with 5/64" allen key. Tighten #10x32 set screws until flush with edge of canopy using 3/32" allen key.	Step 8 Install bulb, return power to fixture, and pull switch chain to confirm proper function. Glass Installation Angle glass slightly, bring one side of fitter through hole. Move globe sideways until other side of fitter clears hole, right globe and center on fitter.

Electrical Configuration

FROM SUPPLY	FROM LUMINAIRE
CONNECT BLACK OR RED (HOT) HOUSE SUPPLY CIRCUIT WIRE TO:	AVAILABLE SWITCH BLACK WIRE (HOT)
CONNECT WHITE (NEUTRAL) HOUSE SUPPLY CIRCUIT WIRE TO:	LUMINAIRE WHITE WIRE (NEUTRAL)

CONNECT GREEN INSULATED OR BARE COPPER (GROUND -) HOUSE SUPPLY CIRCUIT WIRE TO GREEN GROUND SCREW ON CROSSBAR.