

WORKSTEAD

ASSEMBLY AND MOUNTING INSTRUCTIONS

Lodge Chandelier Five

GENERAL NOTES

THIS LUMINAIRE IS UL LISTED. WHEN INSTALLING LUMINAIRE, CONFORM TO ALL APPLICABLE LOCAL ELECTRICAL CODES, ORDINANCES, AND THE NATIONAL ELECTRICAL CODE (NEC).

FOR YOUR SAFETY AND PROPER OPERATION OF LUMINAIRE, READ AND UNDERSTAND ALL INSTRUCTIONS COMPLETELY BEFORE COMMENCING INSTALLATION OF THIS LUMINAIRE.

CAREFULLY UNPACK THE LUMINAIRE AND INSPECT FOR DAMAGE.

THIS PRODUCT IS RATED FOR FIVE 40W MAX, G16.5 BULB.

SAVE THESE INSTRUCTIONS FOR FUTURE REFERENCE.

CAUTION

THIS PRODUCT SHOULD BE INSTALLED ONLY BY A LICENSED ELECTRICIAN.

WARNING

THE ELECTRICITY MUST BE TURNED OFF AT THE MAIN FUSE BOX BEFORE INSTALLING THIS LUMINAIRE. TURNING POWER OFF USING THE LIGHT SWITCH MAY NOT BE SUFFICIENT TO PREVENT ELECTRICAL SHOCK.



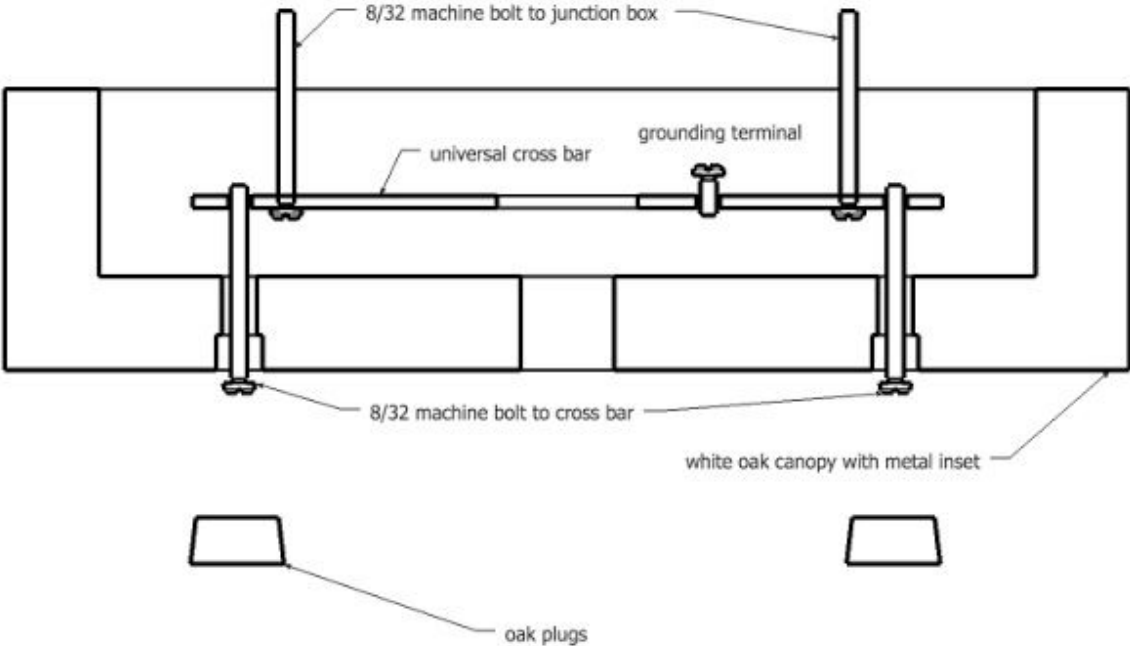
GENERAL NOTE: USE UL LISTED WIRE NUTS FOR THE WIRING CONNECTIONS IN THIS LUMINAIRE. WRAP WIRE NUT CONNECTIONS WITH UL LISTED ELECTRICAL TAPE. FOR QUESTIONS, PLEASE CONTACT CLIENT SERVICES AT: 347.618.5142 OR SHOP@WORKSTEAD.COM

WORKSTEAD

ASSEMBLY AND MOUNTING INSTRUCTIONS

Lodge Chandelier Five

CROSS BAR ASSEMBLY



WORKSTEAD

ASSEMBLY AND MOUNTING INSTRUCTIONS

Lodge Chandelier Five

STEP 1

SHUT OFF THE MAIN ELECTRICAL SUPPLY TO THE JUNCTION BOX FROM THE FUSE BOX/CIRCUIT BREAKER. TURNING POWER OFF AT THE SWITCH IS NOT SUFFICIENT.

STEP 2

LOCATE THE JUNCTION BOX. ATTACH PROVIDED UNIVERSAL CROSS BAR ASSEMBLY FLUSH TO THE JUNCTION BOX USING THE JUNCTION BOX SCREWS.

STEP 3

BRING FIXTURE UP TO CEILING, SUPPORTED INDEPENDENTLY OF TECHNICIAN.

STEP 4

MAKE WIRE CONNECTIONS USING PROVIDED WIRE NUTS, SECURE HOUSE GROUND TO GROUNDING TERMINAL ON CROSS BAR. (SEE ELECTRICAL CONFIG. TABLE) PLACE WIRES INTO JUNCTION BOX

STEP 5

ALIGN FIXTURE THROUGH HOLES WITH THREADED CROSS BAR HOLES. TIGHTEN SUPPLIED MACHINE BOLTS UNTIL CANOPY IS FLUSH WITH CEILING

STEP 6

PLUG THROUGH HOLES IN CANOPY WITH SUPPLIED WOODEN PLUGS

ELECTRICAL CONFIGURATION TABLE

FROM HOME	FROM LUMINAIRE
CONNECT BLACK OR RED (HOT) HOUSE SUPPLY CIRCUIT WIRE TO:	LUMINAIRE BLACK WIRE (HOT)
CONNECT WHITE (NEUTRAL) HOUSE SUPPLY CIRCUIT WIRE TO:	LUMINAIRE WHITE WIRE (NEUTRAL)
CONNECT GREEN INSULATED OR BARE COPPER (GROUND -) HOUSE SUPPLY CIRCUIT WIRE TO GREEN GROUND SCREW ON CROSSBAR.	