

# WORKSTEAD

## ASSEMBLY AND MOUNTING INSTRUCTIONS

Lodge Chandelier Two

### GENERAL NOTES

**THIS LUMINAIRE IS UL LISTED. WHEN INSTALLING LUMINAIRE, CONFORM TO ALL APPLICABLE LOCAL ELECTRICAL CODES, ORDINANCES, AND THE NATIONAL ELECTRICAL CODE (NEC).**

**FOR YOUR SAFETY AND PROPER OPERATION OF LUMINAIRE, READ AND UNDERSTAND ALL INSTRUCTIONS COMPLETELY BEFORE COMMENCING INSTALLATION OF THIS LUMINAIRE.**

**CAREFULLY UNPACK THE LUMINAIRE AND INSPECT FOR DAMAGE.**

**THIS PRODUCT IS RATED FOR TWO 40W MAX, G16.5 BULB.**

**SAVE THESE INSTRUCTIONS FOR FUTURE REFERENCE.**

### CAUTION

**THIS PRODUCT SHOULD BE INSTALLED ONLY BY A LICENSED ELECTRICIAN.**

### WARNING

**THE ELECTRICITY MUST BE TURNED OFF AT THE MAIN FUSE BOX BEFORE INSTALLING THIS LUMINAIRE. TURNING POWER OFF USING THE LIGHT SWITCH MAY NOT BE SUFFICIENT TO PREVENT ELECTRICAL SHOCK.**



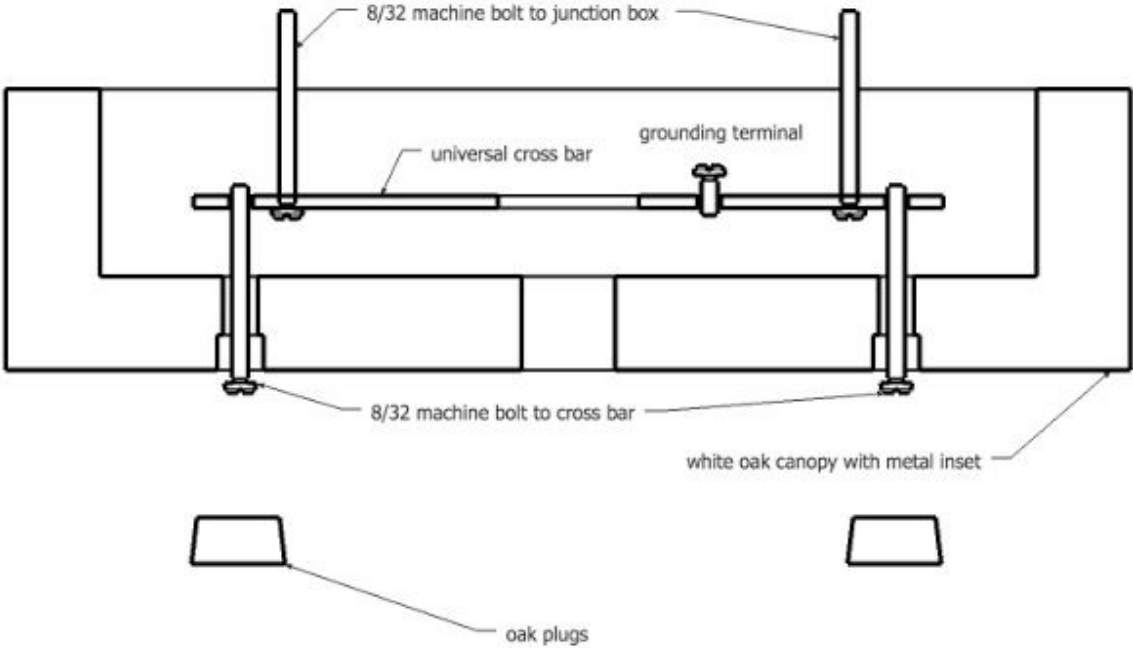
**GENERAL NOTE:** USE UL LISTED WIRE NUTS FOR THE WIRING CONNECTIONS IN THIS LUMINAIRE. WRAP WIRE NUT CONNECTIONS WITH UL LISTED ELECTRICAL TAPE. FOR QUESTIONS, PLEASE CONTACT CLIENT SERVICES AT: 347.618.5142 OR [SHOP@WORKSTEAD.COM](mailto:SHOP@WORKSTEAD.COM)

# WORKSTEAD

## ASSEMBLY AND MOUNTING INSTRUCTIONS

Lodge Chandelier Two

### CROSS BAR ASSEMBLY



# WORKSTEAD

## ASSEMBLY AND MOUNTING INSTRUCTIONS

Lodge Chandelier Two

### STEP 1

SHUT OFF THE MAIN ELECTRICAL SUPPLY TO THE JUNCTION BOX FROM THE FUSE BOX/CIRCUIT BREAKER. TURNING POWER OFF AT THE SWITCH IS NOT SUFFICIENT.

### STEP 2

LOCATE THE JUNCTION BOX. ATTACH PROVIDED UNIVERSAL CROSS BAR ASSEMBLY FLUSH TO THE JUNCTION BOX USING THE JUNCTION BOX SCREWS.

### STEP 3

BRING FIXTURE UP TO CEILING, SUPPORTED INDEPENDENTLY OF TECHNICIAN.

### STEP 4

MAKE WIRE CONNECTIONS USING PROVIDED WIRE NUTS, SECURE HOUSE GROUND TO GROUNDING TERMINAL ON CROSS BAR. (SEE ELECTRICAL CONFIG. TABLE) PLACE WIRES INTO JUNCTION BOX

### STEP 5

ALIGN FIXTURE THROUGH HOLES WITH THREADED CROSS BAR HOLES. TIGHTEN SUPPLIED MACHINE BOLTS UNTIL CANOPY IS FLUSH WITH CEILING

### STEP 6

PLUG THROUGH HOLES IN CANOPY WITH SUPPLIED WOODEN PLUGS

## ELECTRICAL CONFIGURATION TABLE

FROM HOME	FROM LUMINAIRE
CONNECT BLACK OR RED (HOT) HOUSE SUPPLY CIRCUIT WIRE TO:	LUMINAIRE BLACK WIRE (HOT)
CONNECT WHITE (NEUTRAL) HOUSE SUPPLY CIRCUIT WIRE TO:	LUMINAIRE WHITE WIRE (NEUTRAL)
CONNECT GREEN INSULATED OR BARE COPPER (GROUND -) HOUSE SUPPLY CIRCUIT WIRE TO GREEN GROUND SCREW ON CROSSBAR.	