

WORKSTEAD

HELIOS

ASSEMBLY AND MOUNTING INSTRUCTIONS

GENERAL NOTES

THIS LUMINAIRE IS SUITED FOR DAMP LOCATIONS.

THIS LUMINAIRE IS UL LISTED. WHEN INSTALLING LUMINAIRE, CONFORM TO ALL APPLICABLE LOCAL ELECTRICAL CODES, ORDINANCES, AND THE NATIONAL ELECTRICAL CODE (NEC).

FOR YOUR SAFETY AND PROPER OPERATION OF LUMINAIRE, READ AND UNDERSTAND ALL INSTRUCTIONS COMPLETELY BEFORE COMMENCING INSTALLATION OF THIS LUMINAIRE.

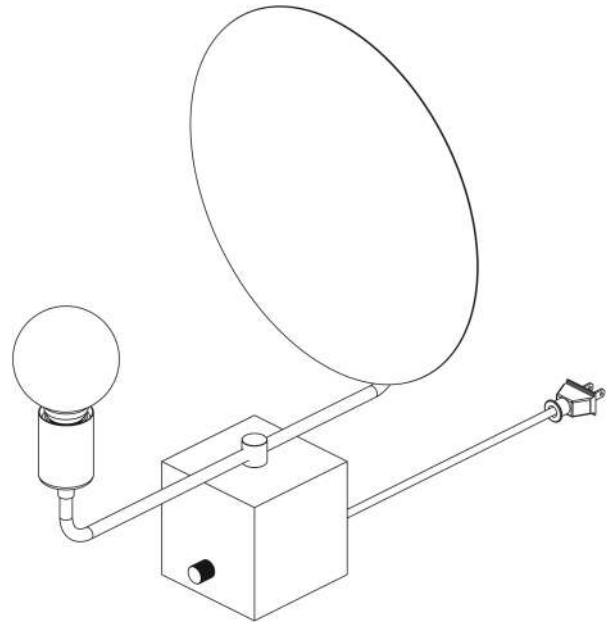
CAREFULLY UNPACK THE LUMINAIRE AND INSPECT FOR DAMAGE.

THIS PRODUCT IS RATED FOR ONE 60W MAX, TYPE A BULB.

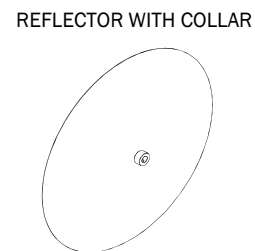
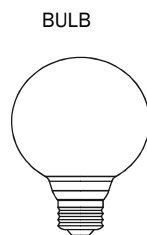
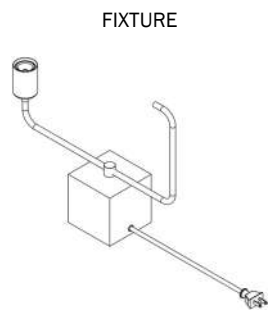
SAVE THESE INSTRUCTIONS FOR FUTURE REFERENCE.

CAUTION

PLEASE WEAR GLOVES TO PROTECT THE FINISH OF THE FIXTURE.



COMPONENTS PROVIDED FOR INSTALLATION



WORKSTEAD

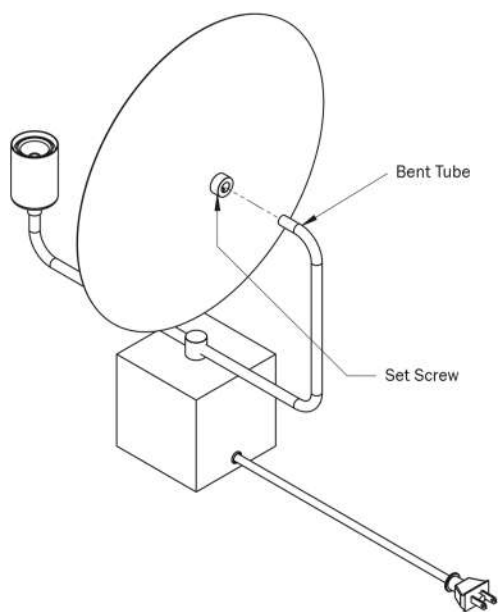
HELIOS

ASSEMBLY AND MOUNTING INSTRUCTIONS

ASSEMBLY INSTRUCTIONS

STEP 1

ATTACH THE REFLECTOR (WITH COLLAR) TO THE BENT TUBE ENSURING THAT THE SET SCREW IS FACING DOWN. SECURE THE REFLECTOR (WITH COLLAR) BY TIGHTENING THE SET SCREW.



INSTALLED VIEW

