

# WORKSTEAD



**BEAM PENDANT SMALL**  
natural oak

# WORKSTEAD

## BEAM PENDANT SMALL

hardwired

### Description

The BEAM PENDANT suspends a trio of turned wooden cylinders from a slender rod, creating a buoyant yet anchored composition. Its horizontal orientation provides for linear and directional countertop, dining, or hallway illumination. Available in Natural Oak, Oxidized Oak, Painted White, Painted Yellow, or Painted Gray. Made in the USA. UL Listed. Damp Rated upon request.

### Body Finish

Natural Oak  
Oxidized Oak  
Painted White  
Painted Yellow  
Painted Gray

### Hardware Finish

Hewn Brass  
Blackened Steel  
Brushed Nickel

### Dimensions

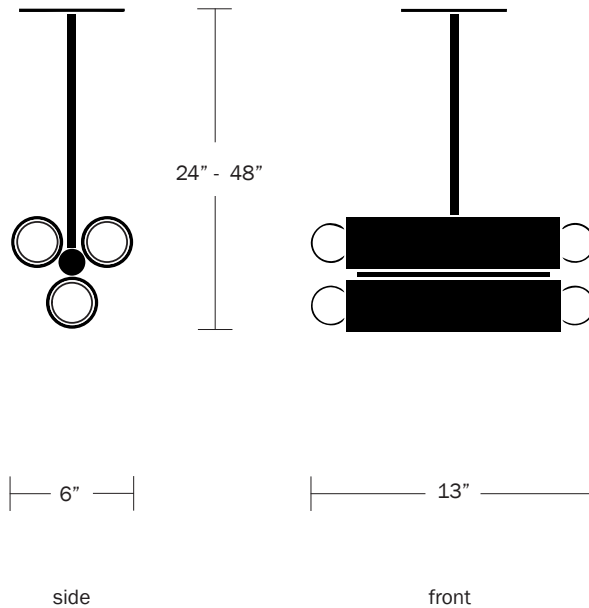
Small - 24"  
Medium - 36"  
Large - 48"  
Width - 6"  
Length - 13"

### Weight

10 lbs

### Lamp

25 Watt Incandescent Max  
(6) 5W Dimmable LED Bulb Included  
2" Diameter With Porcelain Finish  
40 Watt Equivalent  
1,950 Total Lumens  
2700K Color Temperature  
Bulb Life 30,000 Hours  
110/120V, E12  
220/240V, E14  
UL/CE Listed  
Damp Rated Upon Request



# WORKSTEAD

