

# WORKSTEAD



**CHAMBER SCONCE**  
hewn brass

# WORKSTEAD



**CHAMBER SCONCE**  
brushed nickel

# WORKSTEAD



**CHAMBER SCONCE**  
hand finished bronze

# WORKSTEAD

## CHAMBER SCONCE

hardwired

### Description

The CHAMBER SCONCE features an adjustable metal shade that conceals or reveals light by degree. Composed of square brass tubing supporting a sculptural shroud, the fixture is suitable for myriad applications given its adaptable nature. Made in the USA. UL Listed. Damp Rated upon request.

### Finish Options

Hewn Brass  
Hand Finished Bronze  
Brushed Nickel

### Dimensions

Overall Height - 14"  
Depth - 5.75"  
Width - 5"  
Diameter of Shroud - 3"  
Diameter of Canopy - 5"

### Weight

10 lbs

### Lamp

60 Watt Incandescent Max  
5W Dimmable LED Bulb Included  
2" Diameter With Porcelain Finish  
40 Watt Equivalent  
325 Lumens  
2700K Color Temperature  
Bulb Life 30,000 Hours  
110/120V, E12  
220/240V, E14  
UL/CE Listed  
Damp Rated Upon Request

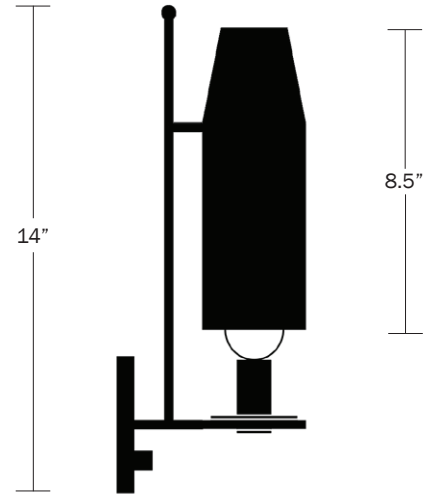
3"



5"

front

5.75"



8.5"

14"

side

# WORKSTEAD

