

# WORKSTEAD



INDUSTRIAL CHANDELIER

# WORKSTEAD

## INDUSTRIAL CHANDELIER

hardwired

### Description

The INDUSTRIAL CHANDELIER is a distilled interpretation of 19th century factory lighting. Composed of slender metal tubing, hand-cast adjustable clamps and cloth-covered cord, the piece serves as moveable sculpture, re-centering the eye based on configuration. Assembled horizontally, it hangs 30" from the ceiling. Vertically, it can range from 30" to 60". Made in the USA. UL Listed. Damp Rated upon request.

### Finish Options

Industrial Black  
Hewn Brass

### Dimensions

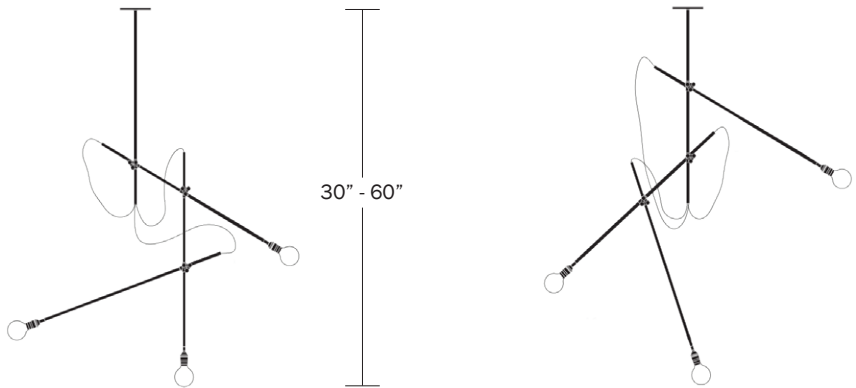
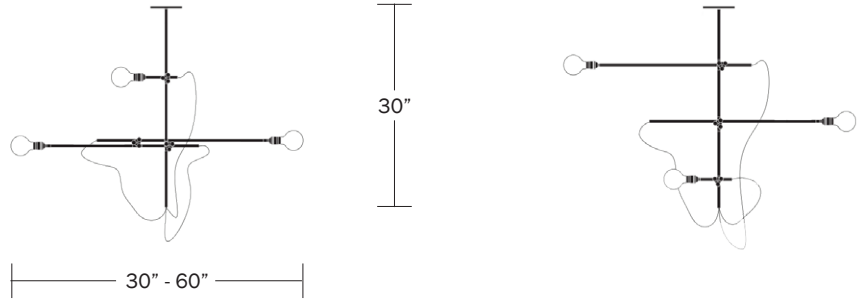
Vertical Stem - 30"  
Horizontal Arms - 30"  
Canopy Diameter- 5.25"  
Adjustable Overall Height - 30" - 60"

### Weight

13 lbs

### Lamp

60 Watt Incandescent Max Per Socket  
6W Dimmable LED Bulbs Included  
3" Diameter With Porcelain Finish  
50 Watt Equivalent Each  
1620 Total Lumens  
2700K Color Temperature  
Bulb Life 30,000 Hours  
110/120V, E26  
220/240V, E27  
UL/CE Listed  
Damp Rated Upon Request



# WORKSTEAD

