

# WORKSTEAD



**TOWER PENDANT I**  
natural oak

# WORKSTEAD



**TOWER PENDANT I**  
oxidized oak

# WORKSTEAD

## TOWER PENDANT I

hardwired

### Description

The TOWER PENDANT I is comprised of a turned wooden cylinder suspended by a cloth-covered cord. The pendant is at once monumental and minimal, providing both down and side light from a glowing porcelain bulb. Also available with a fixed metal down-rod in three standard overall heights. Custom heights available. Made in the USA. UL Listed. Damp Rated upon request.

### Finish Options

- Natural Oak
- Oxidized Oak
- Painted White
- Painted Gray
- Painted Yellow
- Hewn Brass
- Hand Finished Bronze
- Nude Cloth Cord
- Black Cloth Cord

### Dimensions

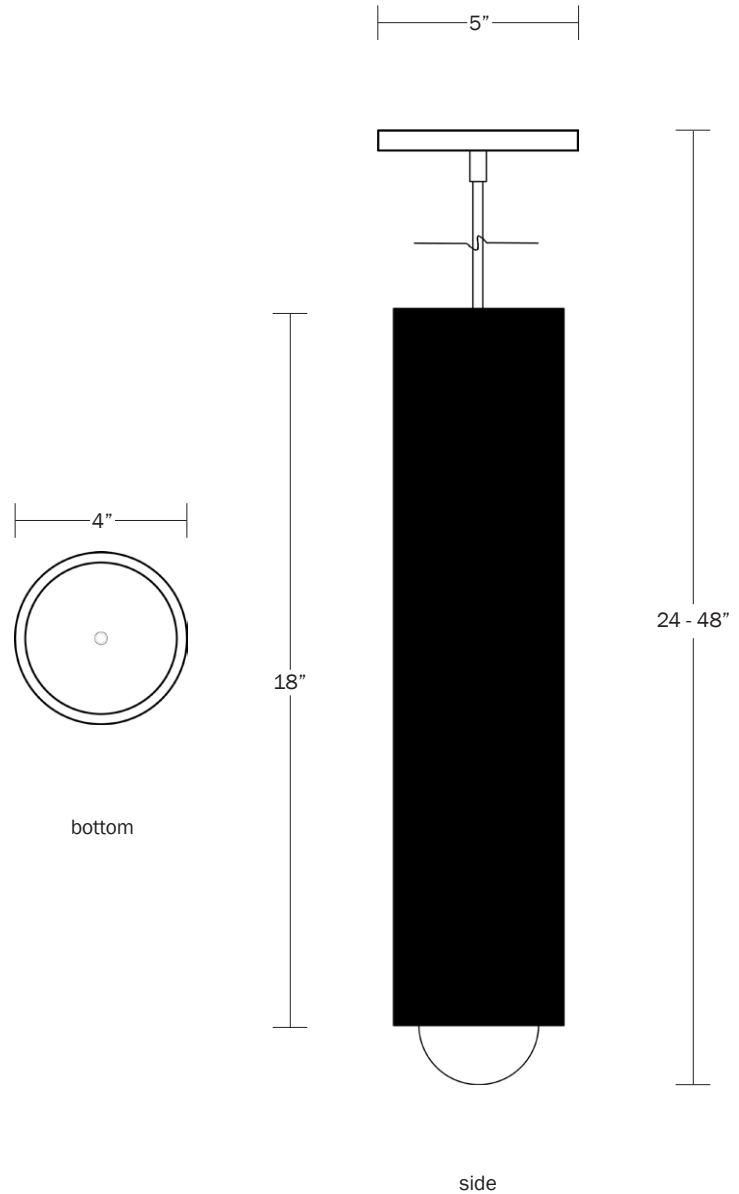
- Cord Option - 10'
- Rod Option - Small - 24"
- Medium - 36"
- Large - 48"
- Cylinder Height- 18"
- Cylinder Width - 4"
- Canopy Diameter - 5"
- Custom Heights Available

### Weight

15 lbs

### Lamp

- 25 Watt Incandescent Max
- 6W Dimmable LED Bulb Included
- 3" Diameter With Porcelain Finish
- 50 Watt Equivalent
- 540 Lumens
- 2700K Color Temperature
- Bulb Life 30,000 Hours
- 110/120V, E26
- 220/240V, E27
- UL/CE Listed
- Damp Rated Upon Request



# WORKSTEAD

